

Multiple-Stage Constant Current DALI PUSH dimming LED Driver



Features:

- The output current is constant& selectable with DIP switch;
- The output voltage can be adjusted by a knob;
- Input voltage:100-240VAC,50/60HZ;
- Using active built-in PFC techology;
- Efficiency>90% PF>0.95;
- Protection:SCP/OVP/OLP;
- Noise free,flicker free;Ripple&noise<10%
- CE/ROHS/SAA/TUV passed;
- Surge L-N:4KV, L/N-FG:2KV
- 7 Years warranty,lifespan>50,000hrs.

Comply with DALI V0 IEC60929 and DALI V1&V2 IEC62386 standards, fully compatible with Tridonic/Siemens/Philips/Feelux/KNX system.

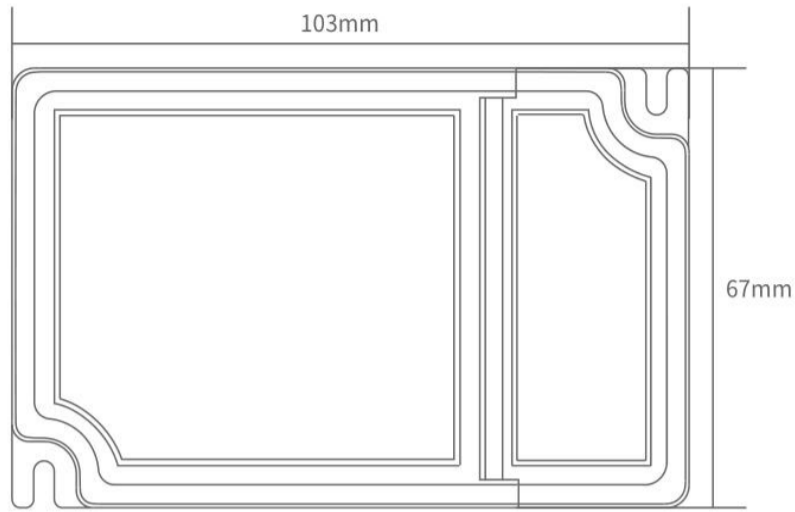
Fault detection/feedback function is included.

Specification Sheet

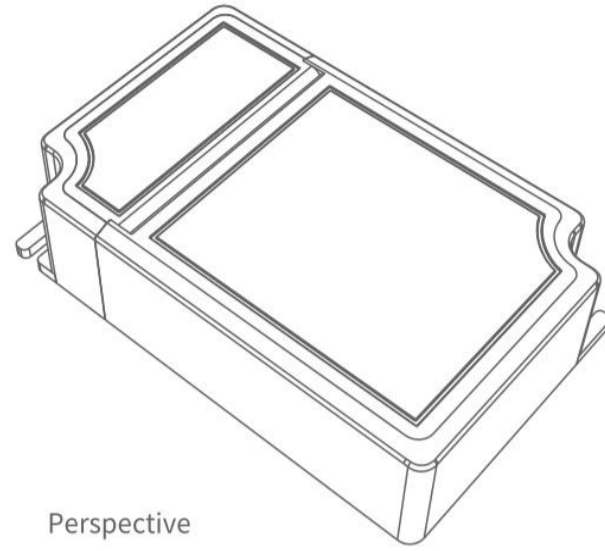
Order code	MSD-	PC050YDP27	PC050YDP42	PC050YDP55	PC050YDP85
Output	Output current DC (option A)	1.85A	1.3A	0.9A	0.6A
	Output current DC (option B)	1.48A	0.96A	0.7A	0.48A
	Output current DC (option C)	1.2A	0.75A	0.6A	0.38A
	Output voltage DC	18-27V	27-42V	40-55V	55-85V
	Current precision	±5%			
	Output Power	50W Max			
Input	Input Voltage Range	100-265V AC			
	AC Current(Typ)	0.5A@110VAC 0.25A@220VAC			
	Frequency Range	50/60Hz			
	Power factor	PF>0.95(typ)			
	Full-loading Efficiency	>90%@full load			
Protection	Short Circuit	Short circuit protection / Over voltage protection/Over temperature protection			
	Over Voltage	<270VAC			
Environment	Operation Temperature	_20_45℃			
	Operation Humidity	20-90%			
	Storage	-40+85℃, 10-95%RH			
	Temperature Coefficient	±0.03%/℃(0~50℃)			
	Vibration Resistance	10~500HZ,2G 10Min/period,X、Y、Z line per 60 mins			
Safety&EMC	Standard	Refer to EN 61347-1;EN 61347-2-13; EN 62493			
	Withstand Voltage	I/P-O/P:3.75KVAC			
	Insulating Strength	I/P-O/P:400M Ω/500 VDC/25℃/70%RH			
	EMC Emission	To Correspond EN55015,EN61000-3-2(≧50% load)			
	EMC Immunity	To Correspond EN55015,EX61000-4-2,3,4,5,6,8,11,A Level of light industry			
Other	Weight	200g			
	Dimension	103*67*27mm: (L*W*H)			
	Material	94V-0 PC fire retardant			
	Color	white			
	Packing	44.5*28.5*17cm/50pcs			

Multiple-Stage Constant Current DALI PUSH Dimming LED Driver

**Mechanical Specification**



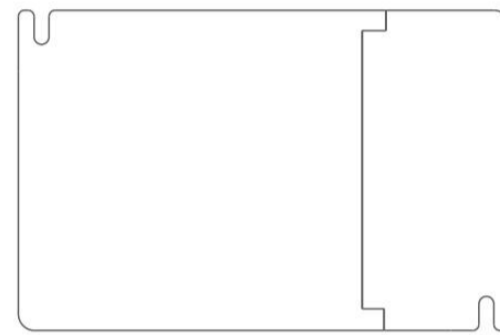
Top view



Perspective

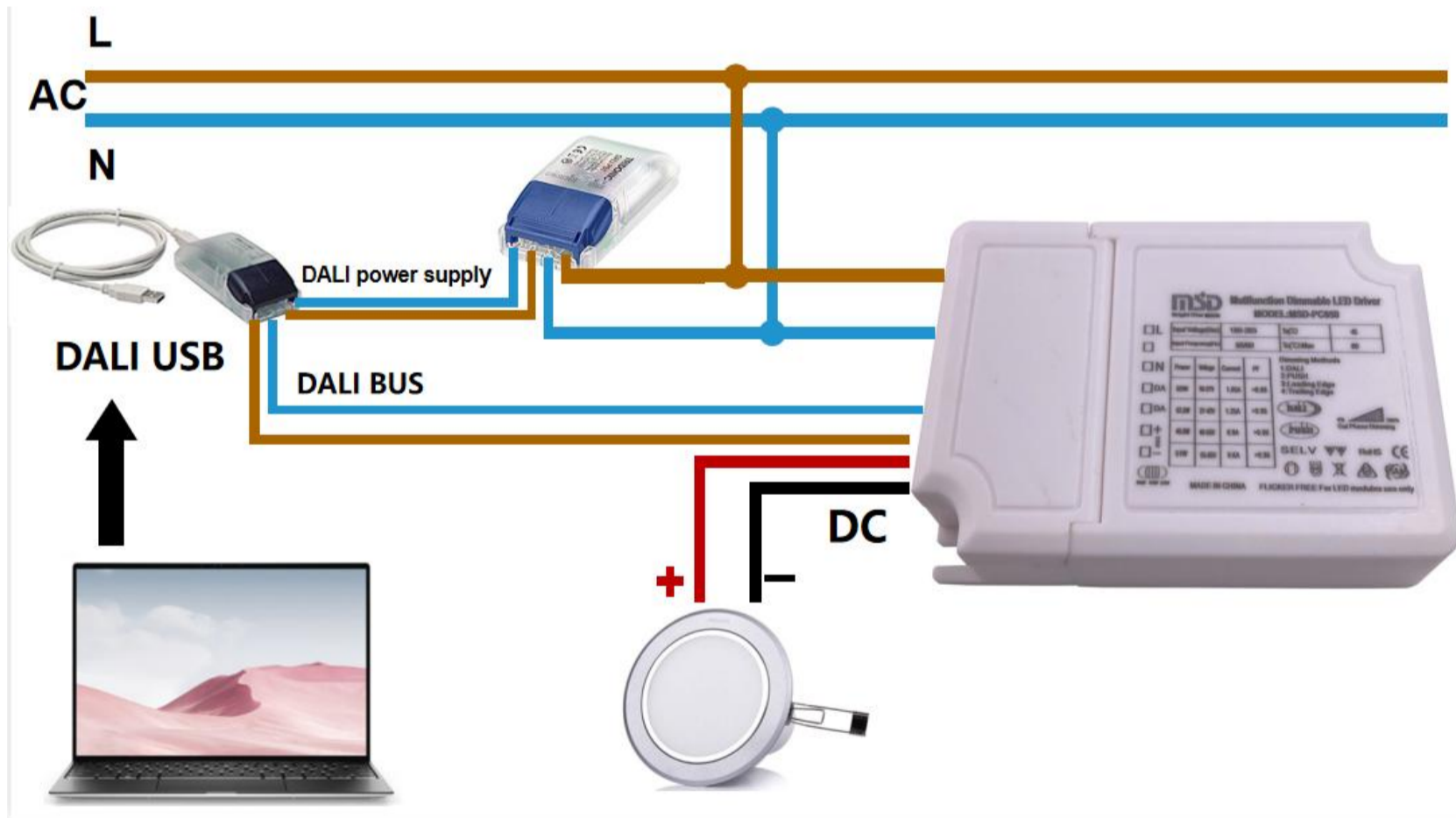


Side view

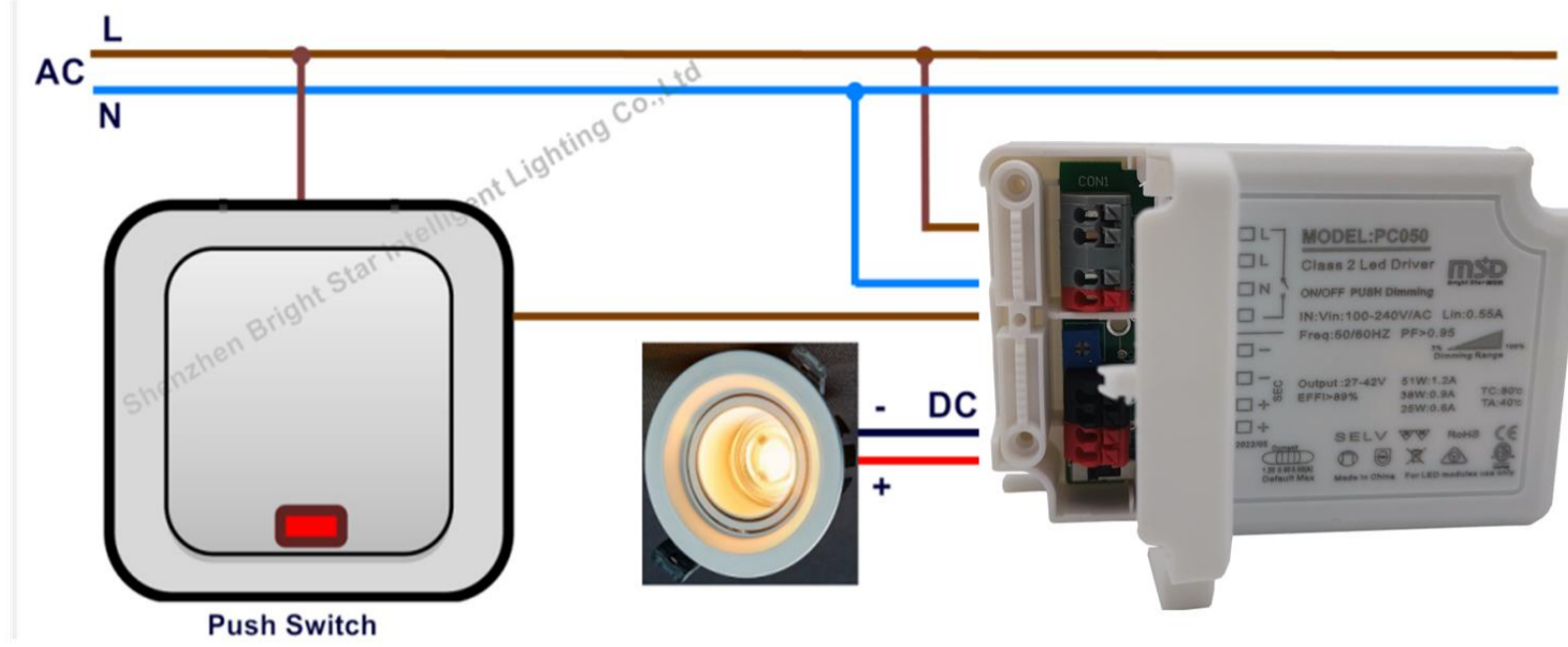


Bottom view

**DALI wiring system**



# PUSH Wiring Diagram:



Web: [www.sz-msd.com](http://www.sz-msd.com) Tel:+86-755-29510721 Fax:+86-755-29518990

Email: [victor@brightstarleds.com](mailto:victor@brightstarleds.com)